



Errata

**NFPA 70<sup>®</sup>**

***National Electrical Code<sup>®</sup>***

**2014 Edition**

**Reference:** Various  
**Errata No.:** 70-14-1

The National Electrical Code Correlating Committee notes the following errors in the 2014 edition of NFPA 70, *National Electrical Code*.

*How to Use this Errata Sheet*

This is a list of errata to the first printing of the 2014 *NEC*<sup>®</sup>.

1. In Section 200.7, remove shading from the first line of the title. Add shading to “or Gray” in the second line.
2. In Table 220.3, on list item “Electric vehicle charging system branch-circuit and feeder calculations,” change the section reference to 625.41.
3. Revise the title of Table 220.44 as follows: “**Table 220.44 Demand Factors for Non-Dwelling Receptacle Loads**”
4. In Section 400.4, insert as first sentence “Flexible cords and flexible cables shall conform to the description in Table 400.4.”
5. In heading above 400.30, Part II should be Part III.
6. In 422.51(A), delete “identified for portable use”.
7. Replace Section 490.48 with the following:

**490.48. Substation Design, Documentation, and Required Diagram.**

**(A) Design and Documentation.** Substations shall be designed by a qualified licensed professional engineer. Where components or the entirety of the substation are listed by a qualified electrical testing laboratory, documentation of internal design features subject to the listing investigation shall not be required. The design shall address but not be limited to the following topics and the documentation of this design shall be made available to the authority having jurisdiction.

- (1) Clearances and exits
- (2) Electrical enclosures
- (3) Securing and support of electrical equipment
- (4) Fire protection

- (5) Safety ground connection provisions
- (6) Guarding live parts
- (7) Transformers and voltage regulation equipment
- (8) Conductor insulation, electrical and mechanical protection, isolation, and terminations
- (9) Application, arrangement, and disconnection of circuit breakers, switches, and fuses
- (10) Provisions for oil filled equipment
- (11) Switchgear
- (12) Surge arrestors

**(B) Diagram.** A permanent single-line diagram of the switchgear shall be provided in a readily visible location within the same room or enclosed area with the switchgear and this diagram shall clearly identify interlocks, isolation means, and all possible sources of voltage to the installation under normal or emergency conditions, and the marking on the switchgear shall cross-reference the diagram.

*Exception: Where the equipment consists solely of a single cubicle or metal enclosed unit substation containing only one set of high-voltage switching devices, diagrams shall not be required.*

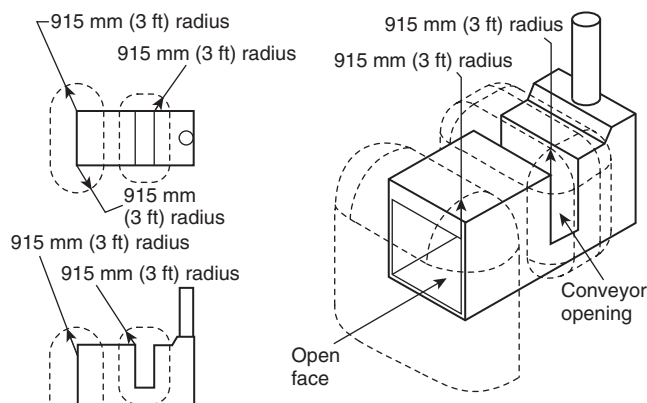
8. Section identifier at the top of page 390 should read “500.9”.

9. Change the references in 506.9(C)(2), Exception, from various sections in 506.9 (D) to 506.9(C) to read as follows:

*Exception: Associated apparatus NOT suitable for installation in a hazardous (classified) location shall be required to be marked only with 506.9(C)(2)(2), (3), and (5), but BOTH the symbol AEx in 506.9(C)(2)(2) and the symbol for the type of protection in 506.9(C)(2)(3) shall be enclosed within the same square brackets; for example, [AEx iaD] or [AEx ia] IIC.*

10. Revise title of Article 516 to read as follows: **Spray Application, Dipping, Coating, and Printing Processes Using Flammable or Combustible Materials**

11. Replace Figure 516.3(D)(2) with the following:



12. In Section 625.17(A)(1), change the cross-reference from 625.17(B)(1) to 625.17(B).

13. In Section 645.15, delete the second sentence, which reads: “Power systems derived within listed information technology equipment that supply information technology systems through receptacles or cable assemblies supplied as part of this equipment shall not be considered separately derived for the purpose of applying 250.30.”

14. *Delete Section 690.7(F).*
15. *Change reference in last line of Section 690.56(A) to 690.31(G)*
16. *Delete Figure 700.2 and text reference in definition of Emergency Systems.*
17. *Delete Figure 701.2 and text reference in definition of Legally Required Standby Systems.*
18. *Delete Figure 702.2 and text reference in definition of Optional Standby Systems.*
19. *Delete Figure 708.2 and text reference in definition of Critical Operations Power Systems.*
20. *At top of page 664, upper left hand corner, change “(C)” to “705.12”*

**Issue Date:** September 16, 2013

**(Note: Electronic products and pamphlet reprints may have this errata incorporated. For current information about the NFPA Codes and Standards, including this errata, please see [www.nfpa.org/codelist](http://www.nfpa.org/codelist))**

Copyright © 2013 All Rights Reserved  
NATIONAL FIRE PROTECTION ASSOCIATION



Errata

**NFPA 70®**

*National Electrical Code®*

**2014 Edition**

**Reference:** Various  
**Errata No.:** 70-14-2

The National Electrical Code Correlating Committee notes the following errors in the 2014 edition of NFPA 70, *National Electrical Code*.

1. In 210.8, change the reference in the first sentence from “210.8(A) through (C)” to “210.8(A) through (D).”
2. In 225.36, Article 250, change the cross-reference to read “250.32(B) Exception No. 1.”
3. In 300.3(C)(2), change the cross-reference from “C(300.3)(2)(a) through (C)(2)(d)” to “300.3(C)(2)(a) through (C)(2)(d).”
4. In 230.62(B), change “110.27 (1)” to “110.27 (A)(1).”
5. In 250.102(C)(2), the Informational Note referencing Chapter 9 should appear at the end of Table 250.102(C)(1).
6. In 310.10(E), change the first word to “Nonshielded.”
7. Revise the first sentence in 314.15 to read as follows:  
“Boxes, conduit bodies, outlet box hoods, and fittings installed in wet locations shall be listed for use in wet locations.”
8. In 368.2, change “copper aluminum” to “copper or aluminum.”
9. In 386.10(3), change the cross-reference from “645.29(1)” to “645.5(E)(2).”
10. In 392.80(A)(3)(2), delete the cross-reference to “392.22(D).”
11. In 404.3(A), Exception No. 2, change “110.27(1)” to “110.27(A)(1).”
12. In 409.3, delete the second “409.”
13. In the Title of Article 411, delete the hyphen between “Class” and “2.”
14. In 450.5, the cross-reference to “250.32(B) Exception” should read “250.32(B) Exception No. 1.”
15. In 480.9(C), change the cross-reference from “110.27” to “110.26.”
16. Revise 501.15(B)(2), Exception No. 2(1), as follows:  
(1) The unclassified location is outdoors, ~~located~~ or the unclassified location is indoors and the conduit system is entirely in one room.

17. In 501.130(B)(4,) Exception, change the cross-reference from “B(501.130)(1)” to “501.130(B)(1).”
18. In 502.140(A)(2), change the cross-reference from “A(502.10)(2)” to “502.10(A)(2).”
19. In 505.9(D)(1), Exception No. 2, change “Class 1” to “Class I.”
20. In 506.6(A), change the cross-reference from “506.6(B)(1)” to “500.6(B)(1).”
21. In 506.6(B), change the cross-references from “506.6(B)(2) and 506.6(B)(3)” to “500.6(B)(2) and 500.6(B)(3).”
22. In 514.3(C)(2), change the cross-references from “Tables 514.3(B)(1)(1) and 514.3(B)(2)(2)” to “Table 514.3(B)(1) and Table 514.3(B)(2).”
23. In 514.3(D)(1), change the cross-reference from “Table 514.3(B)(1)(1)” to “Table 514.3(B)(1).”
24. In 516.3(C)(7), change the cross-reference from “Figure 516.3(D)(4)” to “Figure 516.3(D)(5).”
25. In 517.19(C)(2), shade the entire section and change the cross-reference to “517.19(C)(1).”
26. In 553.8(C), change the cross-references from “250.119(A)(2)(2) and (A)(2)(3)” to “250.119(A)(2)(b) and (A)(2)(c).”
27. In 620.21(A)(1)(c), Exception, change “A(620.21)(1)(c)(1)” to “620.21(A)(1)(c)(1).”
28. In 645.3(B), change the cross-reference from “820.113(C)(C)” to “820.113(C)” and delete shading of the “(C).”
29. In 645.4, change the cross-reference from “Parts I and V of Article 725” to “Parts I and V of Article 770.”
30. In 646.19, change cross-references from “646.20(1) and (2)” to “646.19(1) and (2).”
31. Delete the Exception in 680.25(A)(1).
32. Revise 680.25(B) to read as follows:  
(B) Grounding. An equipment grounding conductor shall be installed with the feeder conductors between the grounding terminal of the pool equipment panelboard and the grounding terminal of the applicable service equipment or source of a separately derived system. For other than (1) existing feeders covered in 680.25(A), exception, or (2) feeders to separate buildings that do not utilize an insulated equipment grounding conductor in accordance with 680.25(B)(2), this equipment grounding conductor shall be insulated.
33. In Table 690.7, first column, change the fifth entry from “4” to “0.”
34. In 690.47(C)(2), change the cross-reference from “250.64(C)(C)(2)” to “250.64(C)(2).”
35. At the end of 694.18(C), after the label, add the following: “The warning sign(s) or label(s) shall comply with 110.21(B).”
36. In 725.179(D), Informational Note, delete the coding text before the word “Informational.”
37. In 725.179(F)(1), delete the cross-references to “725.154(D)(1) and (E).”
38. In 725.179(F)(2), delete the cross-references to “725.154(D)(1) and (E) and (F)(1).”
39. In 770.100(A)(4), Exception, change the cross-reference from “B(770.100)(3)(2)” to “770.100(B)(3)(2).”
40. In 770.179(E)(2), change the cross-reference from “E(770.179)(1)” to “770.179(E)(1).”
41. In 770.179, delete the following:

In addition, the overall covering of a field-assembled optical fiber cable shall have a surface marking indicating the specific optical fiber conductors with which it is listed and the optical fiber conductors shall have a permanent marking such as a marker tape indicating the overall covering with which they are listed. The overall covering of a field-assembled optical fiber cable shall meet the listing requirements for optical fiber raceways.

42. *Replace 770.179(F) with the following:*

**770.179(F) Field-Assembled Optical Fiber Cables.** Field-assembled optical fiber cable shall comply with 770.179(F)(1) through (4).

- (1) The specific combination of jacket and optical fibers intended to be installed as a field-assembled optical fiber cable shall be listed in accordance with 770.179(A), (B), or (D) and shall be marked in accordance with Table 770.179.
- (2) The jacket of a field-assembled optical fiber cable shall have a surface marking indicating the specific optical fibers with which it is listed for use.
- (3) The optical fibers shall have a permanent marking, such as a marker tape, indicating the jacket with which they are listed for use.
- (4) The jacket without fibers shall meet the listing requirements for communications raceways in 800.182(A), (B), or (C) in accordance with the cable marking.

43. *In 800.44(B), Informational Note; 820.44(E)(3), Informational Note; 830.44, Informational Note before 830.44(A); and 840.44(B), Informational Note, change the title of the reference to “National Electrical Safety Code.”*

**Issue Date:** December 3, 2013

**(Note: Electronic products and pamphlet reprints may have this errata incorporated. For current information about the NFPA Codes and Standards, including this errata, please see [www.nfpa.org/codelist](http://www.nfpa.org/codelist))**

Copyright © 2013 All Rights Reserved  
NATIONAL FIRE PROTECTION ASSOCIATION



Errata

**NFPA 70®**

***National Electrical Code®***

**2014 Edition**

**Reference:** Various  
**Errata No.:** 70-14-3

The National Electrical Code Correlating Committee notes the following errors in the 2014 edition of NFPA 70, *National Electrical Code*.

1. 210.19(A), *Informational Note No. 4*. Change the reference in the last sentence to “Informational Note 2 of 215.2(A)(1)(b).”
2. Table 310.15(B)(3)(c). Revise second entry in the first column to read “Above roof 13 mm (1/2 in.)–90 mm (3 1/2 in.)”
3. 406.9(B)(1). Revise the first sentence by inserting “, 125 and 250 volts” after “amperes”.
4. 409.1, *Informational note*. Change the reference to read: ANSI/UL 508A.
5. 600.33(A). Revise first sentence to read “Listed Class 2 cable that complies with Table 725.154...”
6. 690.12(4). Change the reference to 690.56(C)
7. 690.15(D). Delete entire section. This is a duplicate of 690.13(D)
8. 725.154(A). Revise first sentence as follows: The substitutions for Class 2 and Class 3 cables listed in Table 725.154(A) and illustrated in Figure 725.154(A) shall be permitted.
9. Add table as follows:

**Table 725.154(A) Cable Substitutions**

<b>Cable Type</b>	<b>Permitted Substitutions</b>
CL3P	CMP
CL2P	CMP, CL3P
CL3R	CMP, CL3P, CMR
CL2R	CMP, CL3P, CL2P, CMR, CL3R
PLTC	
CL3	CMP, CL3P, CMR, CL3R, CMG, CM, PLTC
CL2	CMP, CL3P, CL2P, CMR, CL3R, CL2R, CMG, CM, PLTC, CL3
CL3X	CMP, CL3P, CMR, CL3R, CMG, CM, PLTC, CL3, CMX
CL2X	CMP, CL3P, CL2P, CMR, CL3R, CL2R, CMG, CM, PLTC, CL3, CL2, CMX, CL3X

10. Table C.9(A) Change the third trade size from 1 3/4 to 3/4. Change the metric equivalent from (2) to (21).

**Issue Date:** April 21, 2014

(Note: Electronic products and pamphlet reprints may have this errata incorporated. For current information about the NFPA Codes and Standards, including this errata, please see [www.nfpa.org/codelist](http://www.nfpa.org/codelist))



Errata

**NFPA 70<sup>®</sup>**

***National Electrical Code<sup>®</sup>***

**2014 Edition**

**Reference:** 517.18(A), Exception No. 2 and 690.13(A) Exception

**Errata No.:** 70-14-4

The National Electrical Code Correlating Committee notes the following errors in the 2014 edition of NFPA 70, *National Electrical Code*.

1. 517.18(A), Exception No. 2. Change second cross reference from 517.18(B)(2) to 517.10(B)(2).
2. 690.13(A), Exception. Change cross reference from 690.31(F) to 690.31(G).

**Issue Date:** July 29, 2014

(Note: Electronic products and pamphlet reprints may have this errata incorporated. For current information about the NFPA Codes and Standards, including this errata, please see [www.nfpa.org/codelist](http://www.nfpa.org/codelist))

Copyright © 2014 All Rights Reserved  
NATIONAL FIRE PROTECTION ASSOCIATION